

1.4.2 Operating and transport dimensions

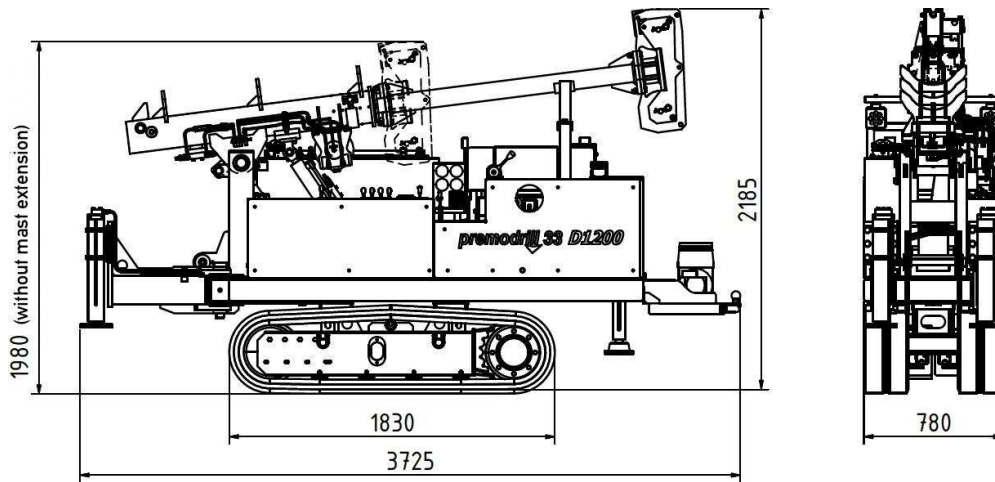


Figure 1: Dimensions for transport

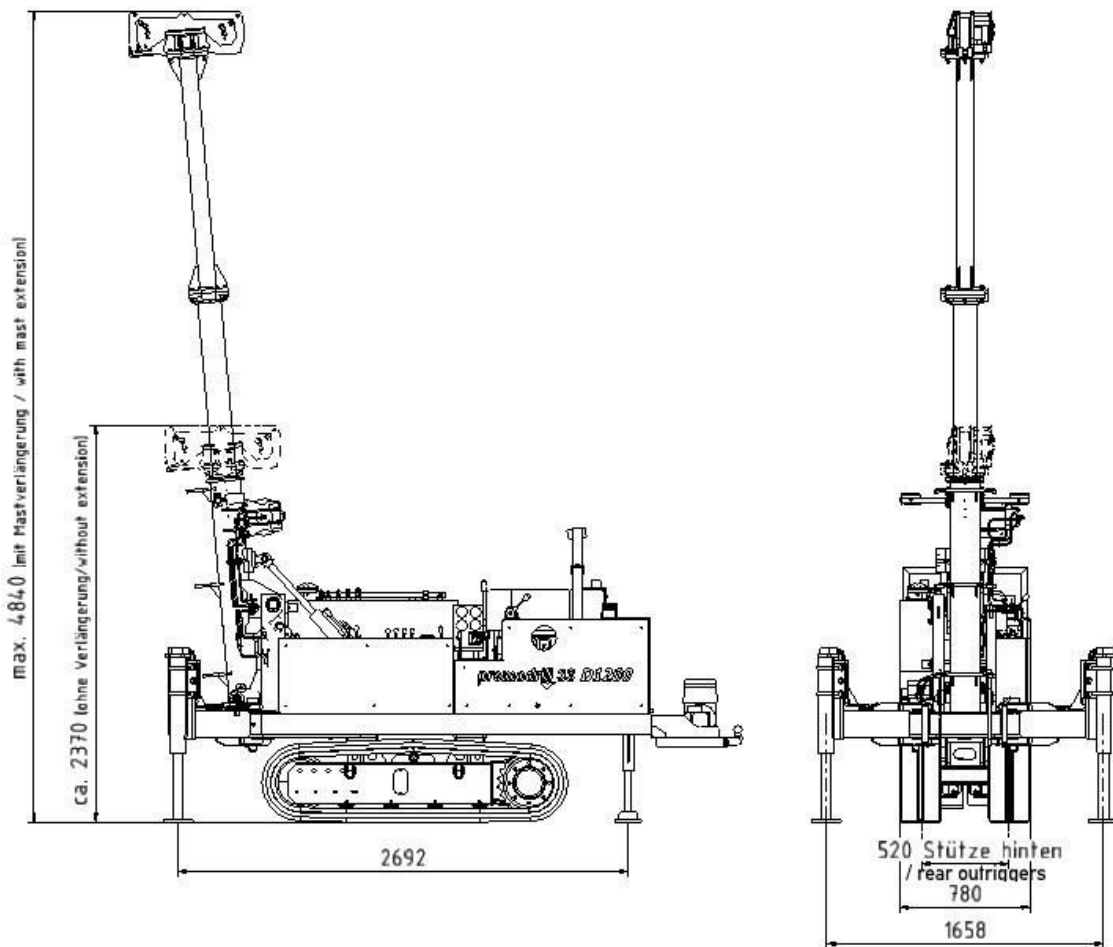


Figure 2: Dimensions in operation