



MP4001 LOW HEAD ROOM ROTARY PILING RIG

Remote Power Pack

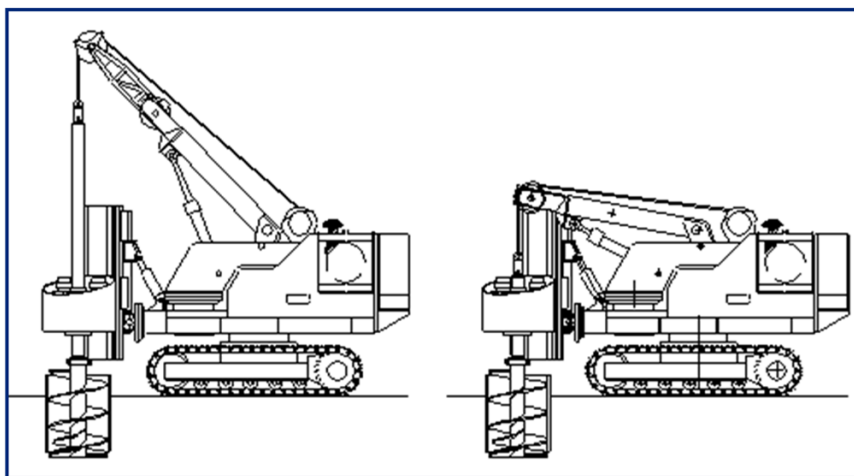
Power unit	Deutz BL61913C - Tier 3A
Rated output	125 kW

Undercarriage

Width over tracks	2290 mm
Track pad width	500 mm
Length over tracks	2780 mm
Clearance under machine	310 mm
Maximum tractive effort	81 kN
Travel speed	1.5 km/hr

Hydraulic system

Hydraulic pressure (max)	250 bar
Main pump delivery	145 lit/min



• **Technical Data**

- Operating Height (unrestricted) 5500 mm
- Minimum operating height 3100 mm
- Overall length 4500 mm
- Overall width 2290 mm
- Tail swing radius 2000 mm
- Operating radius 2250 mm
- Operating weight (approx.) 14000 kg
- Ground bearing pressure (max) 190 kPa
- Ground bearing pressure (average) 80 kPa

• **Rotary Drive**

- Kelly torque at 230 bar 40 kNm

• **Crowd system**

- Max crowd force 60 kN

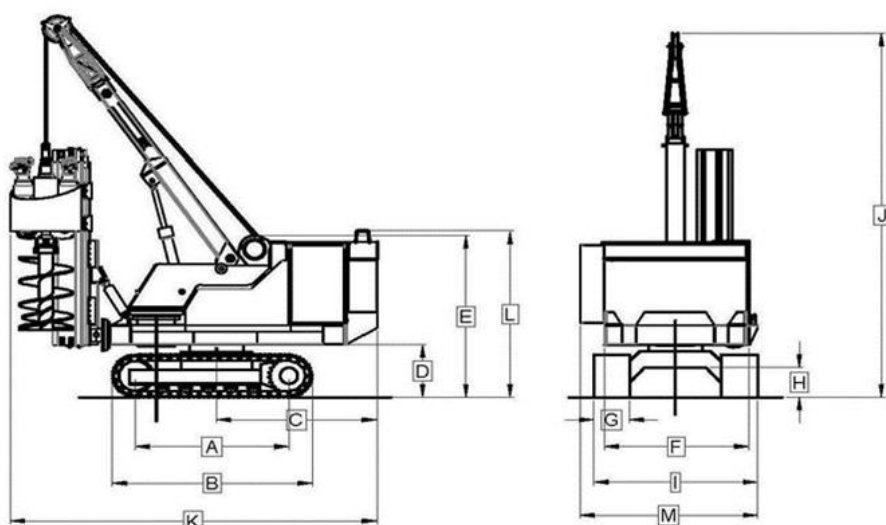
• **Main winch**

Braden PD12

- Single line pull (first layer) 50 kN

• **Mast inclination**

- Fore/aft 10 degrees
- Side/side 5 degrees



A Track Wheel Centres	2160 mm	I Width Over Tracks	2300 mm
B Overall Track Length	2820 mm	J Minimum Operating Height	3500 mm
C CL To Rear Of Machine	2300 mm	J Maximum Operating Height	5900 mm
D C'Wt Ground Clearance	810 mm	J Machine Height As Shown	5625 mm
E Height Of Base Machine	2550 mm	K Overall Length Of machine	5150 mm
F Upperworks Width	2050 mm	L Height Over Beacon	2650 mm
G Track Pad Width	500 mm	M Width Overall	2500 mm
H Ground Clearance	430 mm	* Tail-Swing Radius	2500 mm

Operating Weight Of Machine 13500 kg Pile Diameters Available 450 / 600 / 750 / 900

Note:- Detailed dimensions / CAD drawings available on request

