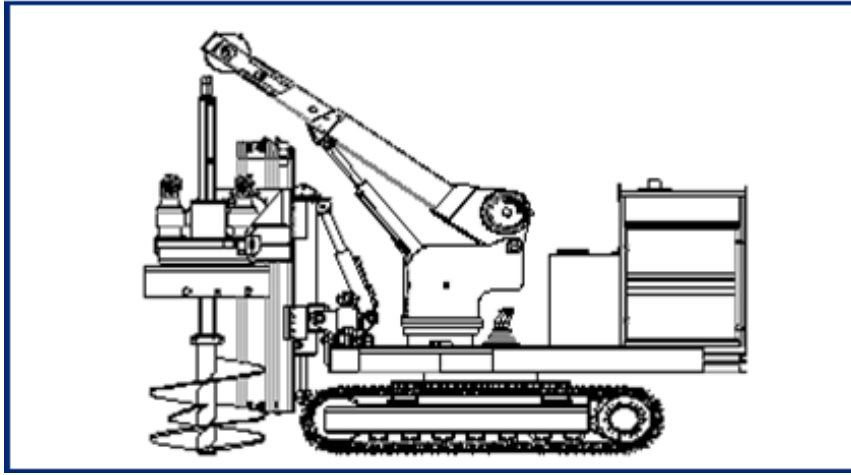




MP4004 LOW HEAD ROOM ROTARY PILING RIG

Base carrier	Martello Piling	
Power unit	JCB448 TCAE IPU - Tier 4 Final	
Rated output	129 kW @ 2000rpm	
Undercarriage		
Width over tracks	2400	mm
Track pad width	500	mm
Length over tracks	3450	mm
Clearance under machine	430	mm
Maximum tractive effort	120	kN
Travel speed	1.0	km/hr
Hydraulic system		
Hydraulic pressure (max)	250	bar
Main pump delivery	320	lit/min
Auxiliary pump delivery	20	lit/min



- **Technical Data**

• Operating Height (unrestricted)	6750 mm
• Minimum operating height	3500 mm
• Overall length	5750 mm
• Overall width	2400 mm
• Tail swing radius	2760 mm
• Operating radius	2625 mm
• Operating weight (approx.)	19250 kg
• Ground bearing pressure (max)	300 kPa
• Ground bearing pressure (average)	150 kPa

- **Rotary Drive**

• Kelly torque at 230 bar	40 kNm
• Casing drive torque at 230 bar	100 kNm

- **Crowd system**

• Max crowd force	60 kN
-------------------	-------

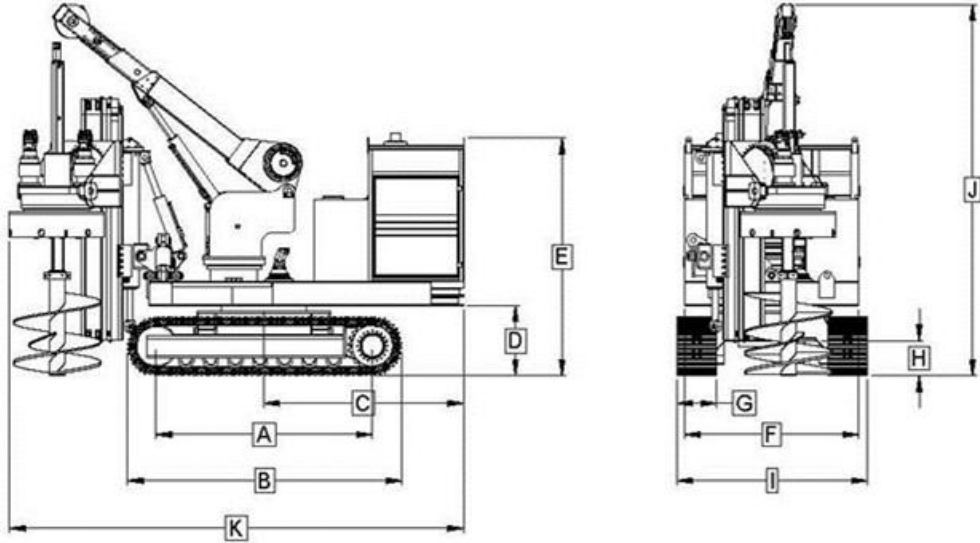
- **Main winch**

Braden PD12

• Single line pull (first layer)	50 kN
----------------------------------	-------

- **Mast inclination**

• Fore/aft	10 degrees
• Side/side	5 degrees



A Track Wheel Centres	2688 mm	H Ground Clearance	430 mm
B Overall Track Length	3420 mm	I Width Over Tracks	2390 mm
C CL To Rear Of Machine	2560 mm	J Minimum Operating Height	3500 mm
D C*Weight Ground Clearance	875 mm	J Maximum Operating Height	6750 mm
E Height Of Base Machine	3200 mm	J Machine Height As Shown	4650 mm
F Upperworks Width	2200 mm	K Overall Length Of Machine	5750 mm
G Track Pad Width	500 mm	* Tail-Swing Radius	2760 mm

Operating Weight 19250 kg Pile Diameters Available 450 / 600 / 750 / 900 / 1050 / 1100 / 1200

Note:- Detailed dimensions / CAD drawings available on request

