



MP4003 LOW HEAD ROOM ROTARY PILING RIG

Base carrier

Power unit
Rated output

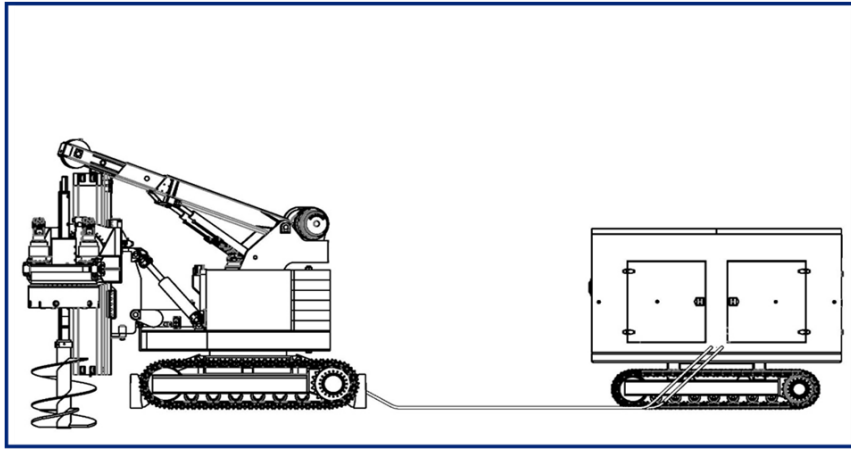
Martello Piling
JCB Ecomax - EU Stage 3B
129 kW @ 2050rpm

Undercarriage

Width over tracks	2300 mm
Track pad width	500 mm
Length over tracks	3360 mm
Clearance under machine	360 mm
Maximum tractive effort	120 kN
Travel speed	1.0 km/hr

Hydraulic system

Hydraulic pressure (max)	250 bar
Main pump delivery	320 lit/min
Auxiliary pump delivery	20 lit/min



Technical Data

• Operating Height (unrestricted)	6750 mm
• Minimum operating height	3500 mm
• Overall length	4750 mm
• Overall width	2300 mm
• Tail swing radius	Zero
• Operating radius	2580 mm
• Operating weight Ø1050 tolling (approx.)	24,205 kg
• Remote Power Pack	6,500 kg
• Ground bearing pressure (max)	320 kPa
• Ground bearing pressure (average)	160 kPa

Rotary Drive

• Kelly torque at 230 bar	40 kNm
• Casing drive torque at 230 bar	100 kNm

Crowd system

• Max crowd force	100 kN
-------------------	--------

Main winch

• Single line pull (first layer)	50 kN
----------------------------------	-------

Mast inclination

• Fore/aft	5 degrees
• Side/side	5 degrees

