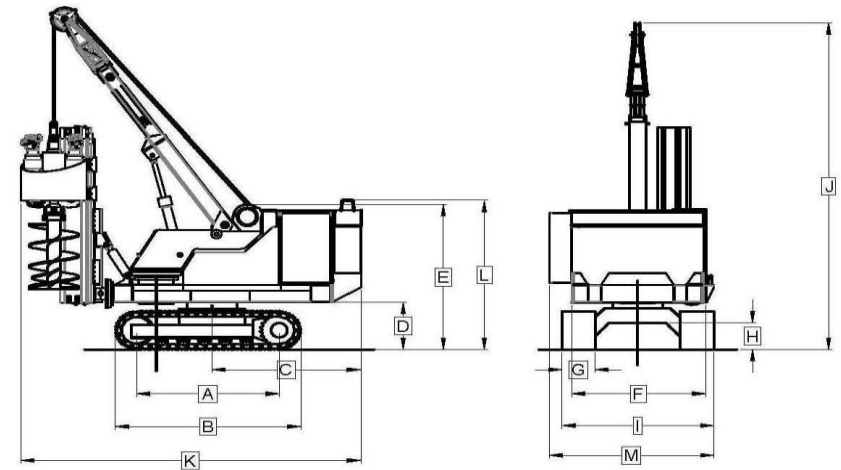
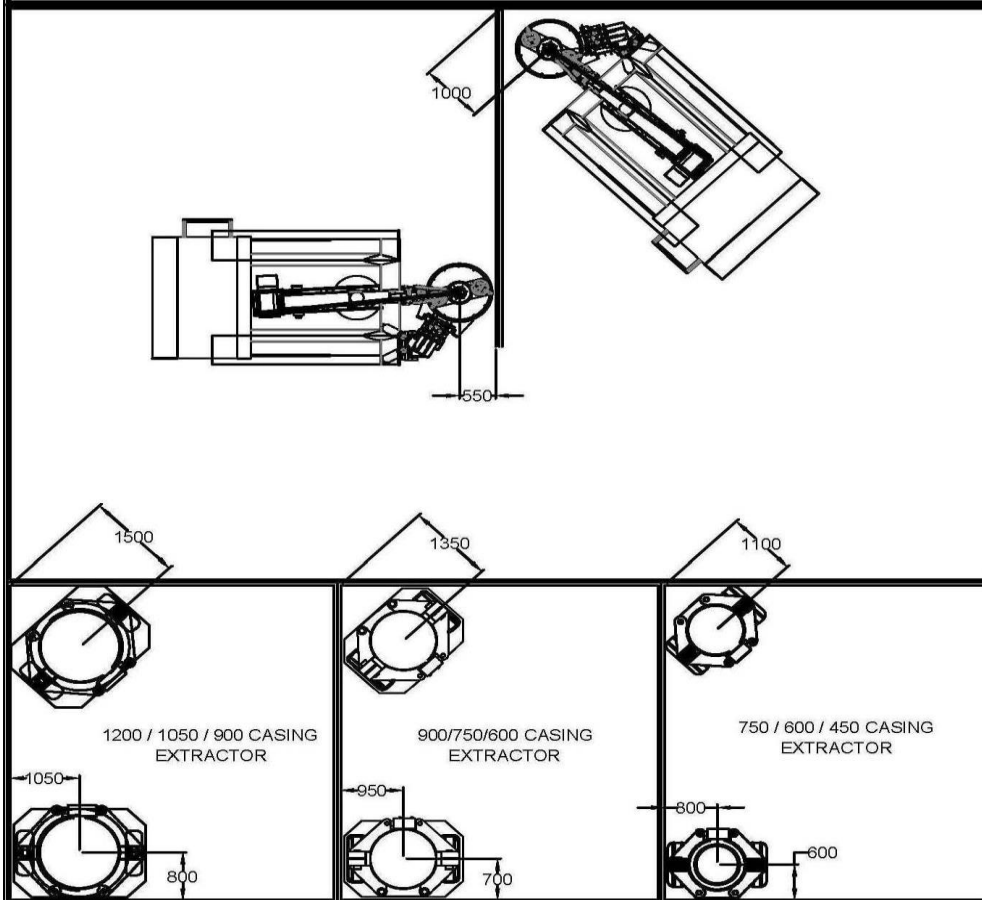




Group MP4001 - Rotary Bored Piling Rig



A Track Wheel Centres	2160 mm	I Width Over Tracks	2300 mm
B Overall Track Length	2820 mm	J Minimum Operating Height	3500 mm
C CL To Rear Of Machine	2300 mm	J Maximum Operating Height	5900 mm
D C'Wt Ground Clearance	810 mm	J Machine Height As Shown	5625 mm
E Height Of Base Machine	2550 mm	K Overall Length Of machine	5150 mm
F Upperworks Width	2050 mm	L Height Over Beacon	2650 mm
G Track Pad Width	500 mm	M Width Overall	2500 mm
H Ground Clearance	430 mm	* Tail-Swing Radius	2500 mm

Operating Weight Of Machine 13500 kg Pile Diameters Available 450 / 600 / 750 / 900

Note:- Detailed dimensions / CAD drawings available on request