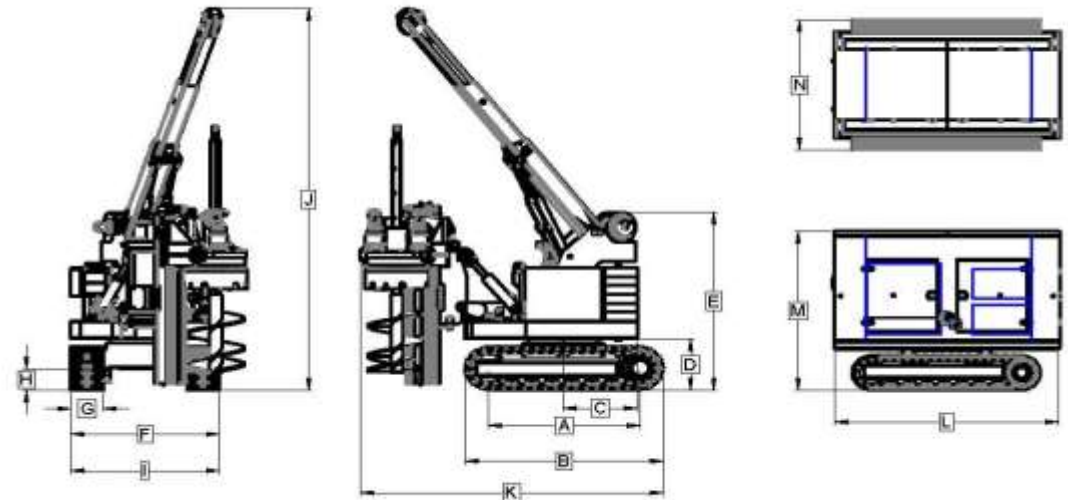
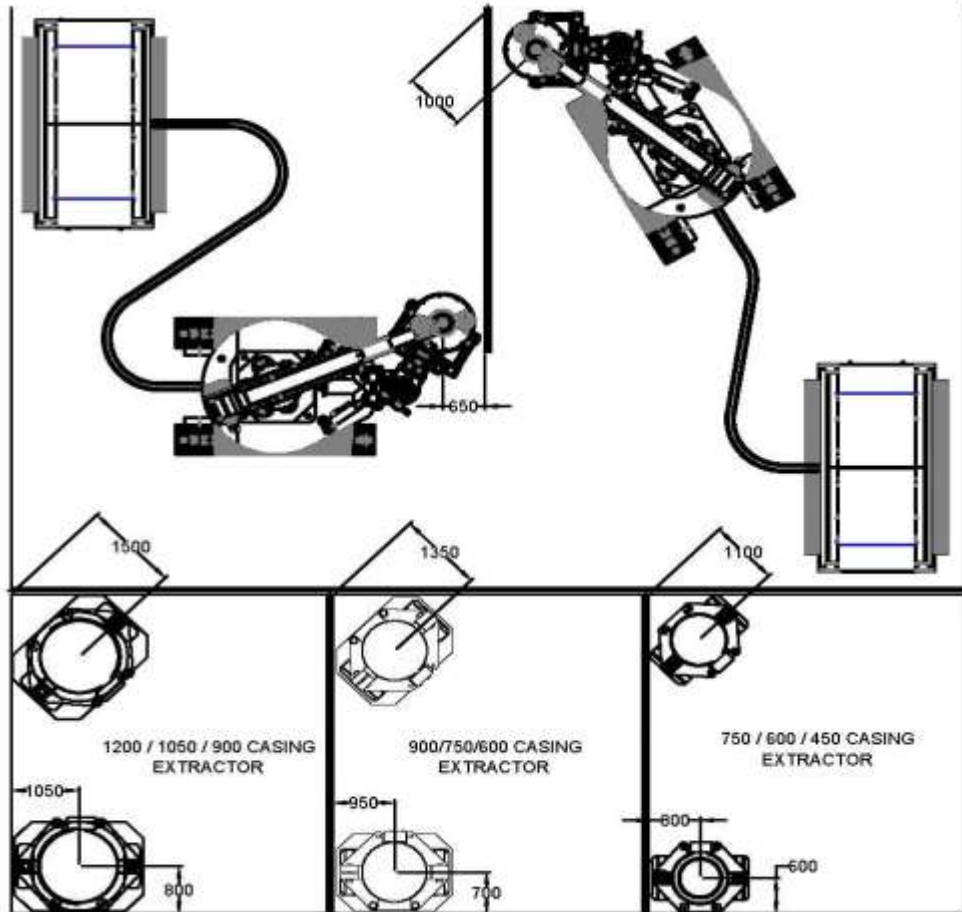


MP4003 - Rotary Bored Piling Rig



A Track Wheel Centres	2360 mm	J Minimum Operating Height	3500 mm
B Overall Track Length	3080 mm	J Maximum Operating Height	6750 mm
C CL To Rear Of Machine	1150 mm	J Machine Height As Shown	4650 mm
D C'Weight Ground Clearance	870 mm	K Overall Length Of Machine	4750 mm
E Height Of Base Machine	3200 mm	* Tail-Swing Radius	ZERO
F Upperworks Width	2300 mm	L Length Of Power Pack	3500 mm
G Track Pad Width	500 mm	M Height Of Power Pack	2750 mm
H Ground Clearance	360 mm	N Width Over P/P Tracks	2200 mm
I Width Over Tracks	2300 mm		
Operating Weight - Rig	21750 kg	Pile Diameters Available	450 / 600 / 750 / 900 / 1050
Operating Weight - Power Pack	6500 kg		

Note:- Detailed dimensions / CAD drawings available on request